



BAG STYLES:



MAXIMUM SPEED:

Up to **75** cycles per minute

MAXIMUM BAG SIZE:

400 mm x 600 mm
(15.75" x 23.63")

MINIMUM BAG SIZE:

100 mm x 100 mm
(3.94" x 3.94")

THE TOUGH-AS-NAILS VERTICAL BAGGER BUILT TO WITHSTAND THE HARSHTEST WASHDOWN PROCEDURES



VIKING MASEK VFFS

E250

E400

ES400

M250

M250 BiB

M400

M500

M650

S250

S400

SACHET SA300-SA500

SIGMA

STICK PACK ST200-ST800

VELOCITY

FEATURES:

- Allen Bradley control platform
- Robust, fully stainless steel, angled frame
- Servo-drive jaw actuation
- Washdown construction
- Drip pan
- Off-the-shelf components
- Minimal maintenance requirements
- Easily-accessible, open design
- No tool changeover
- Self-centering pull belts
- Automatic film tracking
- VFD powered film unwind
- Quick film splice table
- Product stagers
- End-seal cooling air
- Bag deflators
- Photo eye and encoder
- Jaw obstruction detection
- Stainless steel guard doors
- Runs most film structures
- Storage for 50 product recipes

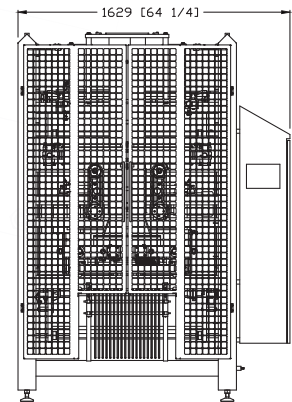
OPTIONS:

- Flat bottom bag assembly
- Siemens control platform
- Integration with variety of fillers, printers, metal detectors, label applicators, and checkweighers
- Vacuum pull belts
- Hole punch (Euroslot and Round)
- Carry-handle punch
- Load shelf
- Product settler
- Gas flush
- Static eliminator
- Tear notch
- In-feed and take-away conveyors
- Remote diagnostics

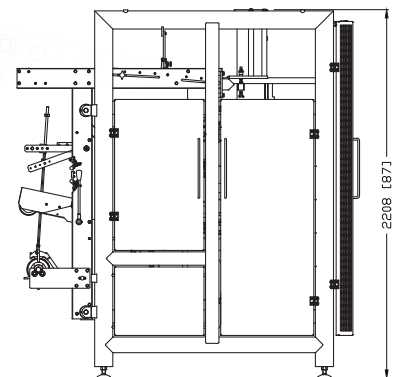


ES400 VIEWS:

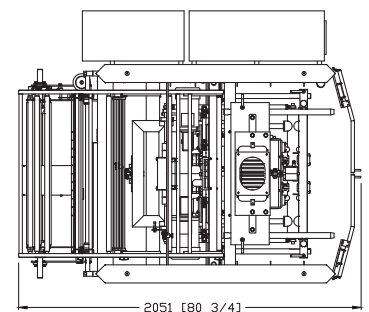
FRONT



SIDE



TOP



Standard views, dimensions may vary.